

## Select Steel Warranty

Select Garage Doors Ltd provides a five year limited warranty against manufacturing defects from date of purchase. In the event of a claim, please contact the distributor who originally supplied the product, who will then supply details of the claim along with the proof of purchase to Select Garage Doors Ltd. Valid claims will be repaired or replaced at our discretion.

## Operating gear

All products must be installed in accordance with installation instructions. Moving parts should be lubricated 3 to 4 times a year to ensure smooth operation. A qualified engineer must inspect and carry out repairs/replacements as necessary. DO NOT ATTEMPT THIS YOURSELF, AS THIS COULD BE POTENTIALLY DANGEROUS.

## Appearance

During the manufacturing process it is possible that some distortion in the panels may occur. A visual inspection should be carried out in natural daylight (not direct sunlight) from a distance of 3 metres to view the overall appearance, minor marks and blemishes not seen from this distance will not be covered by warranty.

## Finish Warranty

Primed steel doors must receive a suitable exterior topcoat immediately after installation. This coating is not covered by warranty.

Factory finished powder coating is covered for five years. Laminate wood grain finish is covered for five years. Surfaces must be freely exposed to washing by rainfall and kept clear of bird droppings, accumulated dirt and debris. The door and frame should be kept free from impact damage, scratches and other surface abrasions. Damage, corrosion or discolouration caused by contact with an excessively salty atmosphere, abnormal elements within the building or from pollution, chemicals, or caustic substances are excluded from warranty.

## Cleaning

Cleaning should be carried out with a soft, non abrasive sponge and clean water.

The company reserves the right to make alterations in design and manufacture as are deemed necessary without notification.

### Note:

Our products are not suitable for use as gates on external installations.



Side Hinged



Bi-Fold



Personnel



Wicket doors



Up & Over

BESPOKE HAND CRAFTED GARAGE DOORS  
BRITISH MADE



## Rivington range



Rivington Centre Split

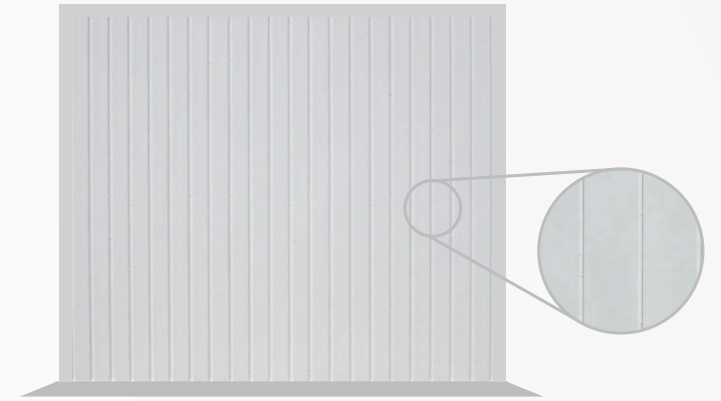


Rivington off Centre Split

Hinged on the right



Rivington Canopy



Rivington Retractable

## Adlington range



Adlington Centre Split

Hinged on the right



Adlington off Centre Split

Hinged on the right



Adlington Canopy



Adlington Retractable

## Cartmel range



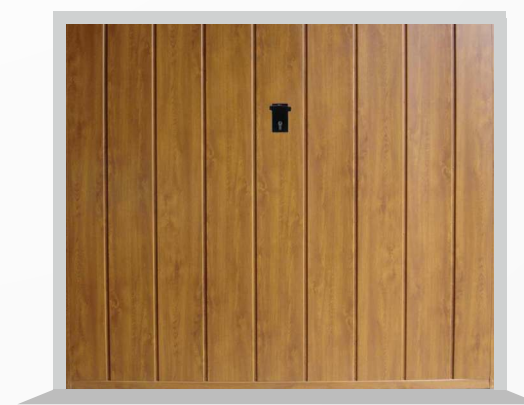
Cartmel Centre Split

Hinged on the right

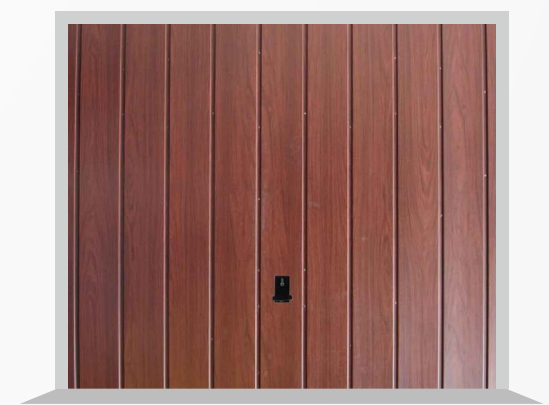


Cartmel off Centre Split

Hinged on the left



Cartmel Canopy



Cartmel Retractable



## Langdale range



Langdale Centre Split



Langdale off Centre Split

Hinged on the left



Langdale Canopy



Langdale Retractable

## Bowdon range



Bowdon Centre Split



Bowdon off Centre Split

Hinged on the right



Bowdon Canopy



Bowdon Retractable

## Derwent range



Derwent Centre Split



Derwent off Centre Split

Hinged on the right



Derwent Canopy



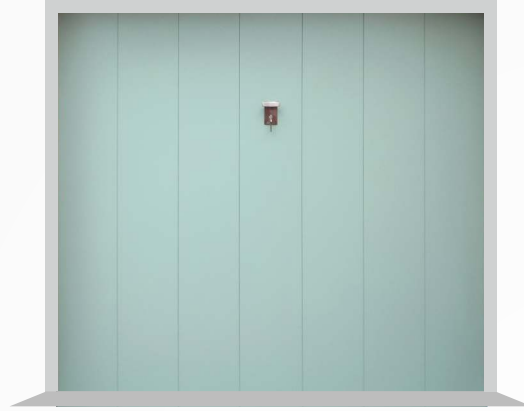
Derwent Retractable



## Croston range



Croston off Centre Split



Croston Canopy or Retractable

## Belmont range

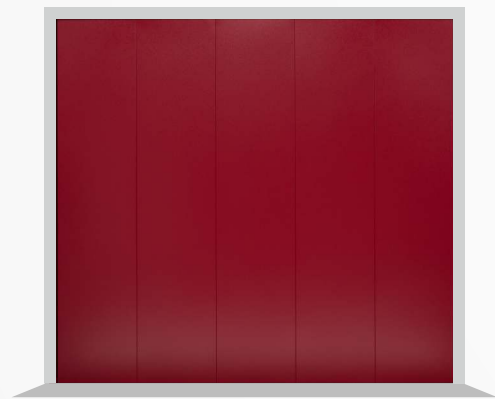


Belmont Canopy or Retractable



Belmont Centre Split  
Hinged on the right

## Gisburn range



Gisburn Canopy or Retractable



Gisburn off Centre Split  
Hinged on the right with optional extras

## Rufford range



Rufford Canopy or Retractable



Rufford Centre Split  
With optional extras



## Other options



**Bowdon Bi-Fold**

Bi-fold shown in window design



**Dunham Centre Split**

Hinged on the right



**Wicket Door**

Hinged on the right



**Marple Retractable or Canopy**

## Personnel Doors



**Langdale Personnel**

Hinged on the right



**Rivington Personnel**

With window option



**Marple Personnel**



**Derwent Personnel**

Hinged on the left



**Dunham Personnel**

Hinged on the left



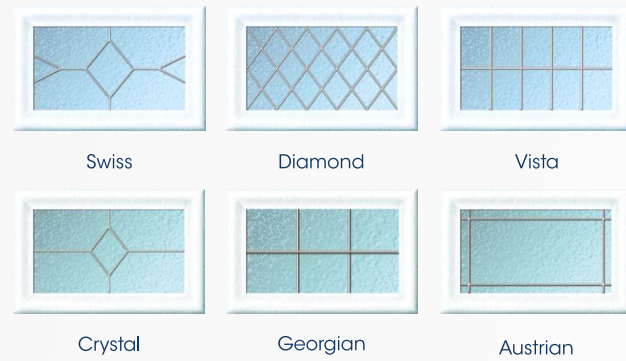
**Bowdon Personnel**

Hinged on the right



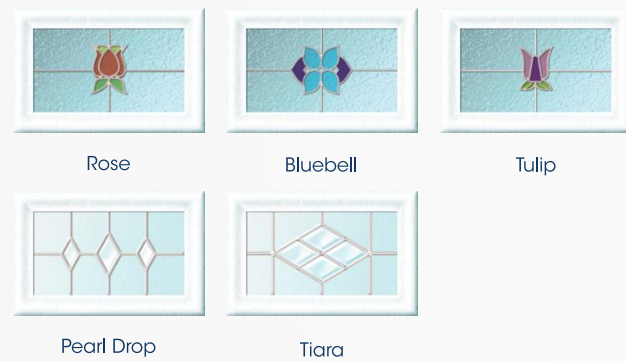
## Decra Lead Windows

Enhance your window with one of our stylish leaded patterns.



## Decra Glass Windows

Add a touch of elegance with Decra Glass or add flair with a splash of colour.

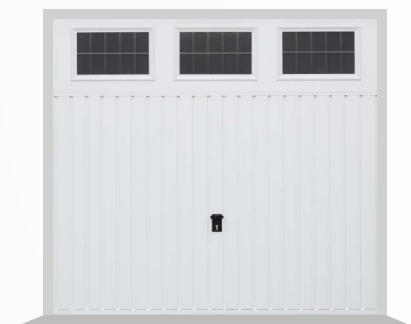


## Decra Trim Window Accents

Add visual interest to your windows with easy-to-snap-in Decra Trim Inserts. Glazing available in dimple glass.

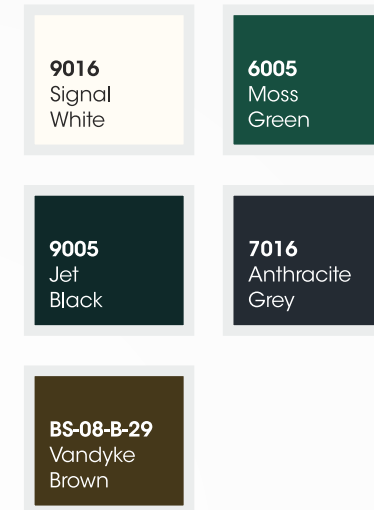


## Window Examples

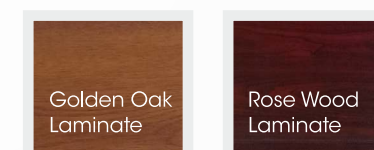


## Colour range

### Price Range A



### Laminate Range\*



Not available in Georgian designs.

### Price Range B

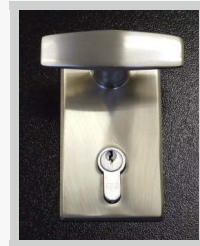


All fully finished doors are supplied in ripple finish. Samples are available.

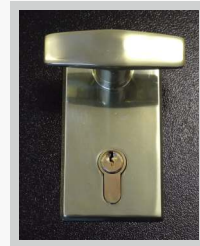


## Additional Extras

With our additional extras you can enhance the appearance of your garage door



Brushed Steel



Antique Brass



Standard Black



Chrome/Satin



Brass



Chrome



Brass



Large Stainless  
Ball bearing hinge 102mm x 76mm



Large Pull  
19mm tubular  
525mm overall length  
Grade 201 stainless



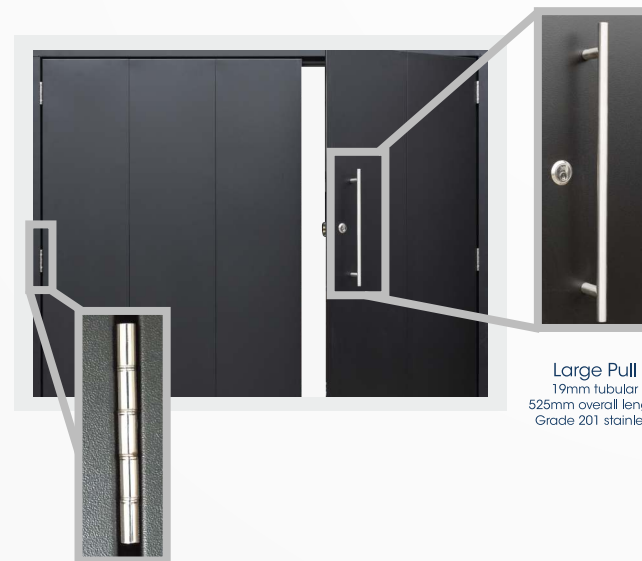
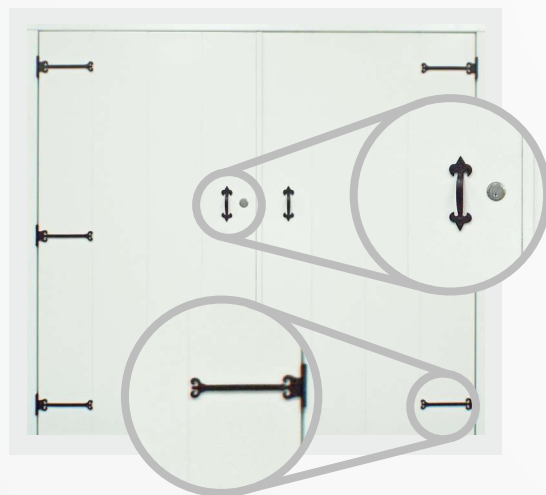
Euro Locking  
Bars



Euro Locking Bars

## Decorative

250mm Fleur-de-leys Hinge Front Black  
- 180mm Fleur-de-leys pull handle



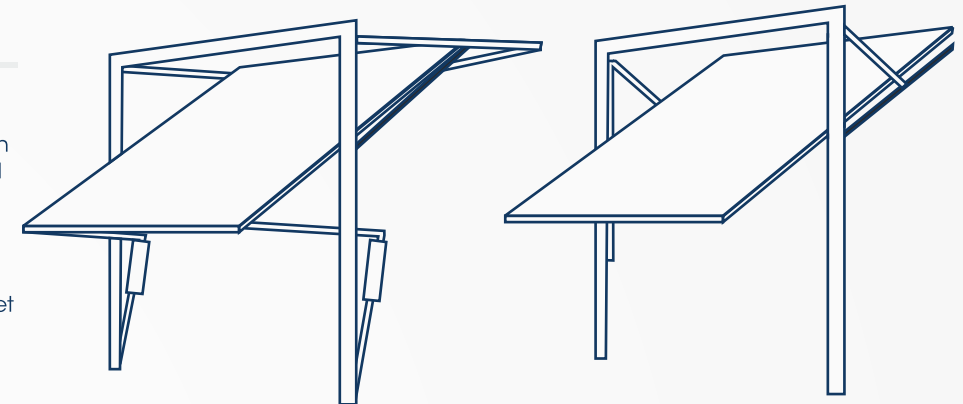
Large Stainless  
Ball bearing hinge 102mm x 76mm

Large Pull  
19mm tubular  
525mm overall length  
Grade 201 stainless

## Door specifications

### Retractable Doors

Retractable doors offer smooth operation and balance and are ideal for electric automation. A 2-point slam latch locking with euro lock handle located in the bottom third of the door provide security. Tracks will protrude into the garage and drive thru clearance will be reduced by the mechanism, measurements can be calculated once door sizes are known. Wicket doors are an optional extra in the Rivington design. Maximum width 4876mm (16ft)

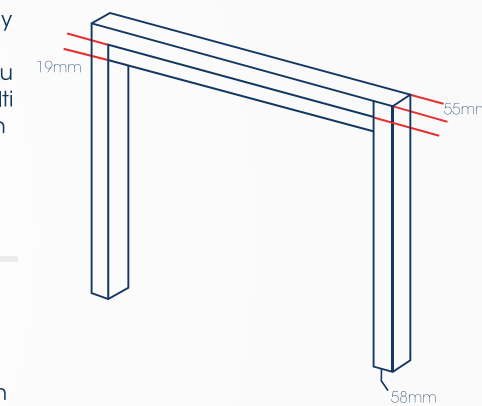


Retractable Door

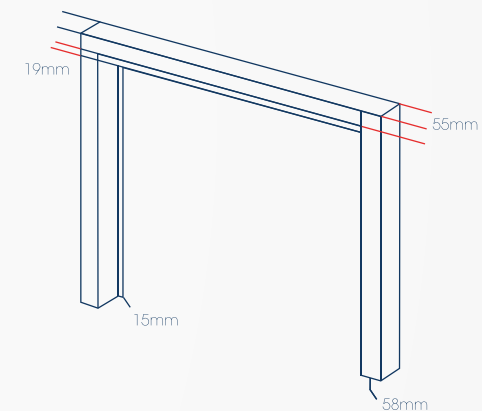
Canopy Door

### Canopy Doors

Canopy doors operate with an overhead torsion spring and vertical tracks fixed directly to the frame. Therefore, there are no tracks suspended from the ceiling and full drive thru clearance is gained between the frame. Multi point locking with euro profile lock centred in the top third of the door. Maximum width of 2743mm (9ft). 2438mm (8ft) with windows.



Canopy/Retract Frame



Side Hinge Frame

### Side Hinged Doors

Available as centre split or off centre split, right or left hand leading, opening in or out. Doors will be supplied with silver brushed effect night latch with tower bolts top and bottom on the second door. Doors that open out will be fitted with a draught seal to the sides and the top of the internal frame.

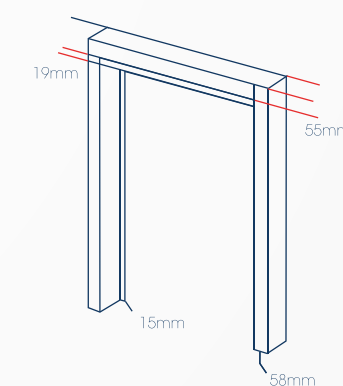
Unless specified at the time of order, doors will be made with the first door opening on the right as viewed from the outside.

### Personnel Doors

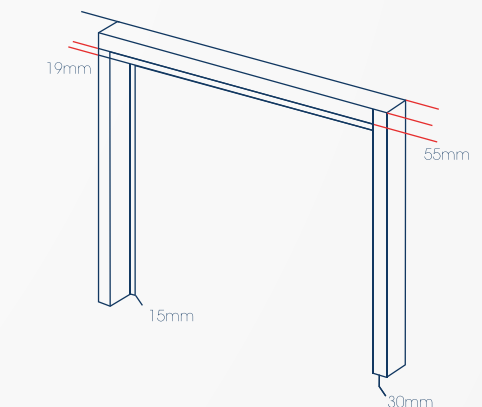
Unless specified at the time of order, doors will be made with the hinges on the left viewed from the outside opening out with brushed chrome night latch.

### Frame detail

All doors up to 3658mm (12ft) are available with a pre-fitted steel frame. These are finished in one of our powder coated colours and offers a strong low maintenance alternative to timber. See diagram for frame dimensions.



Personnel Frame

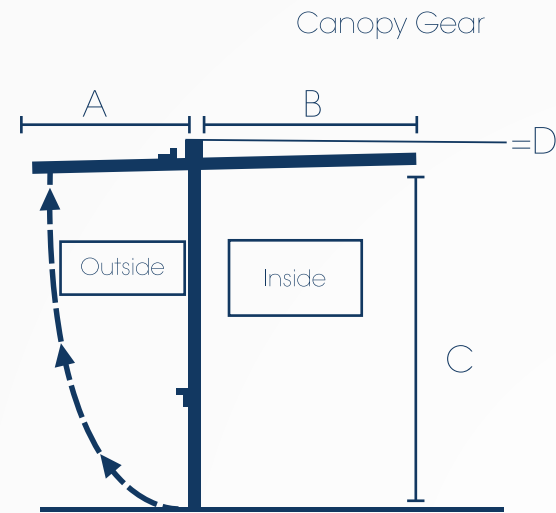


Side Hinge Frame  
Narrow frame option

# Gear projections and clearance data sheet

## Canopy

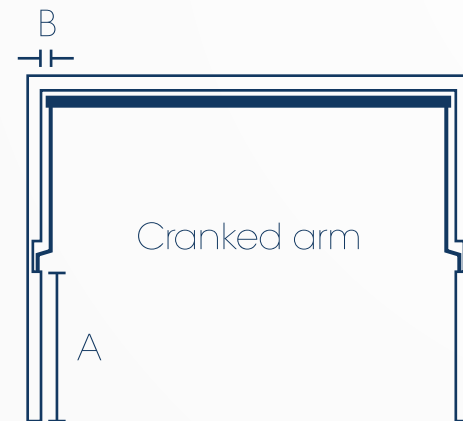
|   | 1980mm(6'6") | 2314mm(7'0") |
|---|--------------|--------------|
| A | 610          | 763          |
| B | 1285         | 1285         |
| C | 1857         | 2010         |
| D | 63           | 63           |



## AP130

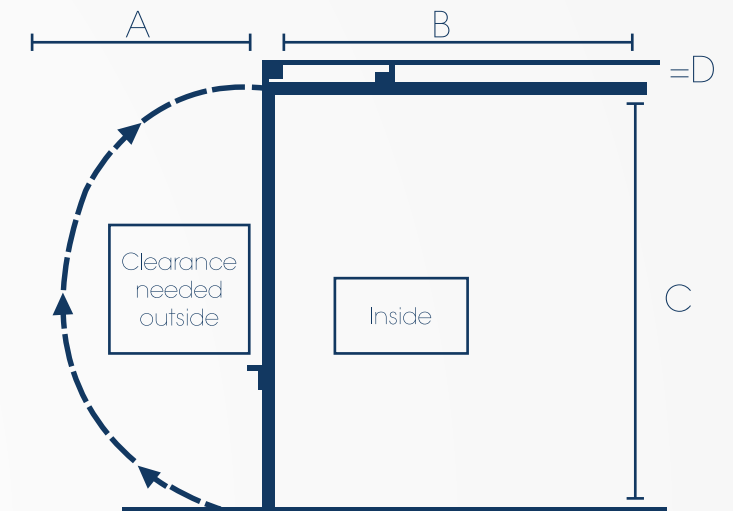
|   | 1960mm(6'6") | 2314mm(7'0") |
|---|--------------|--------------|
| A | 990          | 1040         |
| B | 45           | 45           |

- A) Height to the bottom of the lifting arm
- B) Projection of the lifting arm into the opening from the edge of the frame above height A



## Retractable

- A) Projection in front of the opening from the door face
- B) Projection into the garage from REAR of the door frame
- C) Height clearance inside the garage excluding any lock projections and deep bracing on double doors
- D) Kick up inside the garage above bottom edge of frame



## Ap130

|   | 1960mm(6'6") | 2314mm(7'0") |
|---|--------------|--------------|
| A | 910          | 1040         |
| B | 1940         | 1940         |
| C | 1855         | 2008         |
| D | 25           | 25           |

## AP150/200/250/350

|   | 1980mm(6'6") | 2134mm(7'0") | 2286mm(7'6") | 2591mm(8'0") |
|---|--------------|--------------|--------------|--------------|
| A | 888          | 1041         | 1194         | 1347         |
| B | 1890         | 1890         | 2195         | 2195         |
| C | 1900         | 2053         | 2206         | 2659         |
| D | 25           | 25           | 25           | 25           |